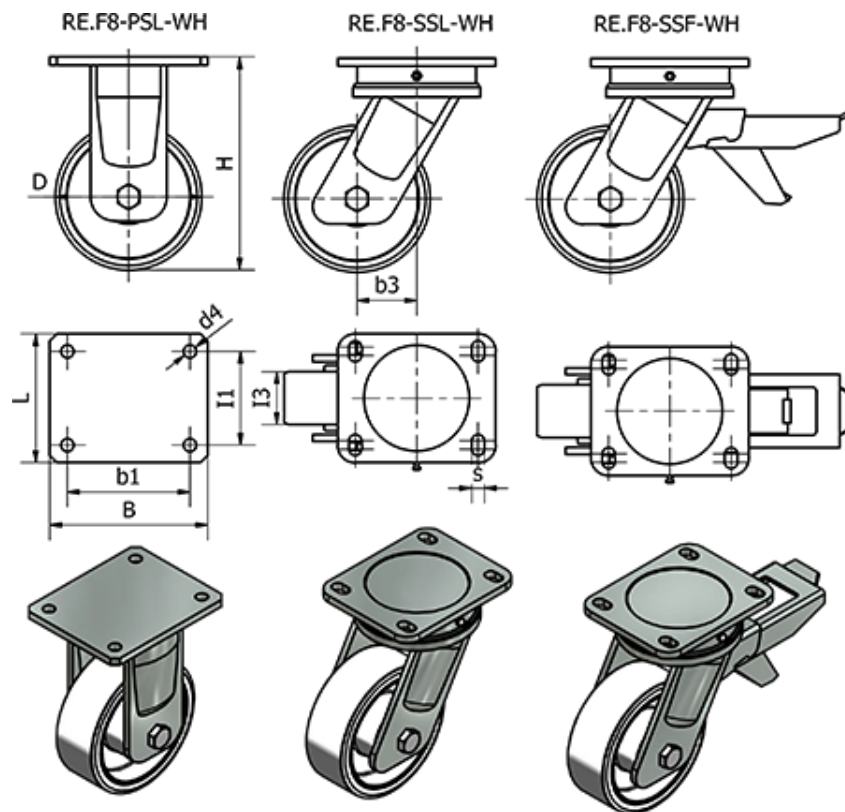


Article number: 2314449483

Description: E+G polyamide wheel
RE.F8-200-PSL-WH - Fixed plate in Zinc-plated steel

Measures



B	= 135	I1	= 80
b1	= 105	I3	= 50
b3	= 70	L	= 110
Code	= 449483	R	= 157
D	= 200	Rolling resistance (N)	= 6500
d4	= 11	s	=
Dynamic carrying capacity (N)	= 9000	Type	= RE.F8-200-PSL-WH
H	= 252	Weight (g)	= 4220